



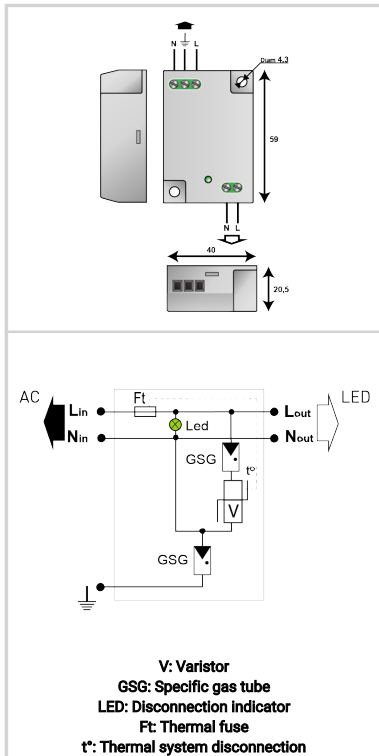
CITEL

Surge protector for LED lighting system Class 1

MLPC-VG1-230L-V



- Type 2 (or 3) surge protectors for LED
- Class 1
- Very compact
- Plate mounting
- Screw terminal connection
- Status indicator
- Disconnection AC end of life
- EN 61643-11 compliance



Electrical Characteristics		
SPD type	IEC	2+3
Network		220-240 V Single-phase
AC system		TT-TN
Max. AC operating voltage	Uc	320 Vac
Max. load current @25°C	IL	10 A
Temporary Over Voltage (TOV) Characteristics - 5 sec. <i>Without disconnection</i>	UT	335 Vac withstand
Temporary Over Voltage (TOV) Characteristics - 120 mn <i>Without disconnection or with safety disconnection</i>	UT	440 Vac withstand
Temporary Over Voltage N/PE (TOV HT) <i>Without disconnection or with safety disconnection</i>	UT	1200 V/300A/200 ms disconnection
Residual Current <i>Leakage current to Ground</i>	Ipe	None
Nominal discharge current <i>15 x 8/20 μs impulses</i>	In	5 kA
Withstand on overvoltages IEEE C62.41.1		10 kV
Protection mode(s)		Common/Differential mode
Protection level L/N <i>@ In (8/20μs)</i>	Up L/N	1.5 kV
Protection level L/PE <i>@ In (8/20μs)</i>	Up L/PE	1.5 kV
Admissible short-circuit current	Isc cr	10 000 A
Mechanical Characteristics		
Technology		VG Technology (MOV+GSG)
Connection to Network		By screw terminals: 2.5mm ² max.
Mounting		On plate
Housing material		Thermoplastic UL94 V-0
Operating temperature	Tu	-40/+85°C
Protection rating		IP20
Failsafe mode		Disconnection and AC line cut-off
Disconnection indicator		LED green OFF and AC network cut-off
Operating indicator		Green Led ON
Dimensions		See diagram
Disconnectors		
Thermal disconnector		Internal
Installation ground fault breaker		Type 'S' or delayed
Standards		
Standards compliance		EN 61643-11 / IEC 61643-11
Certification		KEMA / ENEC05
Part number		
836221		

