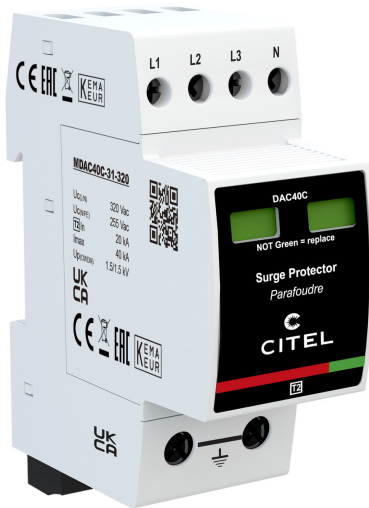




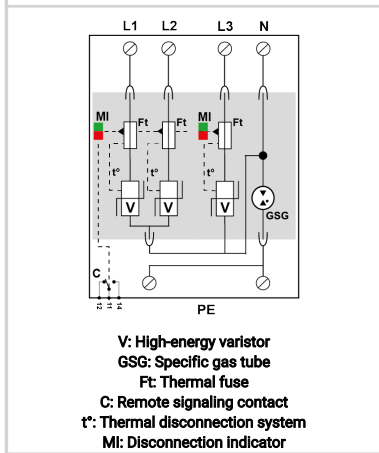
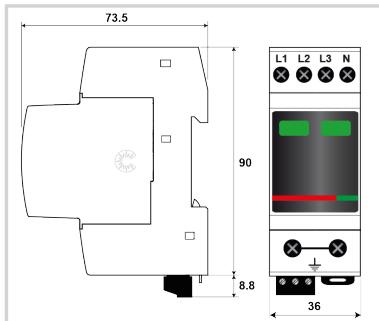
# CITEL

## Type 2 AC surge protector - 3-phase+N

### DAC40CS-31-320



- ▶ Compact, multipole type 2
- ▶ Conductivity per pole:  $I_n = 20 \text{ kA}$ ;  $I_{max} = 40 \text{ kA}$
- ▶ Protection modes - common and/or differential
- ▶ Safe disconnect device
- ▶ Transverse / longitudinal voltage protection
- ▶ Energetically coordinated
- ▶ Pluggable protection module
- ▶ Remote signalling
- ▶ Conforms to IEC 61643-11 / EN 61643-11 and UL1449 ed.5



#### Electrical Characteristics

SPD type	IEC	2
Network		230/400 V
AC system		TT-TNS
Max. AC operating voltage	$U_c$	320 Vac
Temporary Over Voltage (TOV) Characteristics - 5 sec. Without disconnection	UT	335 Vac withstand
Temporary Over Voltage (TOV) Characteristics - 120 mn Without disconnection or with safety disconnection	UT	440 Vac disconnection
Temporary Over Voltage N/PE (TOV HT) Without disconnection or with safety disconnection	UT	1200 V/300A/200 ms withstand
Residual Current Leakage current to Ground	$I_{pe}$	None
Follow current	$I_f$	None
Nominal discharge current 15 x 8/20 $\mu$ s impulses	$I_n$	20 kA
Max. discharge current max. withstand @ 8/20 $\mu$ s by pole	$I_{max}$	40 kA
Total Maximum discharge current max. total withstand @ 8/20 $\mu$ s	$I_{max}$ Total	40 kA
Protection mode(s)		L/PE and N/PE
Protection level L/N @ $I_n$ (8/20 $\mu$ s)	Up L/N	1.5 kV
Protection level N/PE @ $I_n$ (8/20 $\mu$ s)	Up N/PE	1.5 kV
Admissible short-circuit current	$I_{scrr}$	10 000 A

#### Mechanical Characteristics

Technology		MOV+GDT
SPD configuration		3-phase+Neutral
Connection to Network		By screw terminals: L/N = 1.5-10mm <sup>2</sup> (16mm <sup>2</sup> rigid) or PE = 2.5-25mm <sup>2</sup> (35mm <sup>2</sup> rigid)
Format		Plug-in modular box
Mounting		Symmetrical rail 35 mm (EN 60715)
Housing material		Thermoplastic UL94 V-0
Operating temperature	$T_u$	-40/+85°C
Protection rating		IP20
Failsafe mode		Disconnection from AC network
Disconnection indicator		2 mechanical indicators - Red/Green
Spare module(s)		MDAC40C-31-320
Remote signaling of disconnection		Output on changeover contact
Wiring for remote signaling		1.5 mm <sup>2</sup> max.
Max. Voltage/Current for remote signaling		250 V / 0.5 A (AC) / 30 V / 3 A (DC)
Dimensions		See diagram - 2TE (EN43880)

#### Disconnectors

Thermal disconnector		Internal
Installation ground fault breaker		Type 'S' or delayed
Back-up protection device		50 A min. - 125 A max. - Fuses Type gG

#### Standards

Standards compliance		IEC 61643-11 / EN 61643-11 / UL1449 ed.5
Certification		KEMA

#### Part number

821520322
-----------

