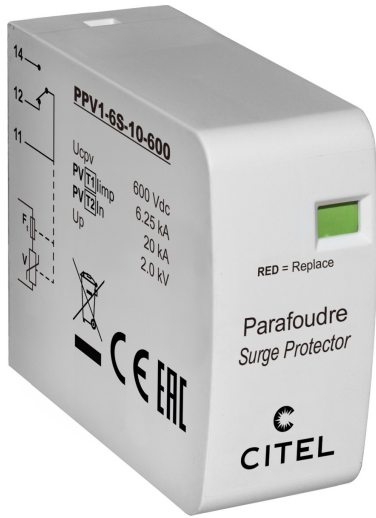




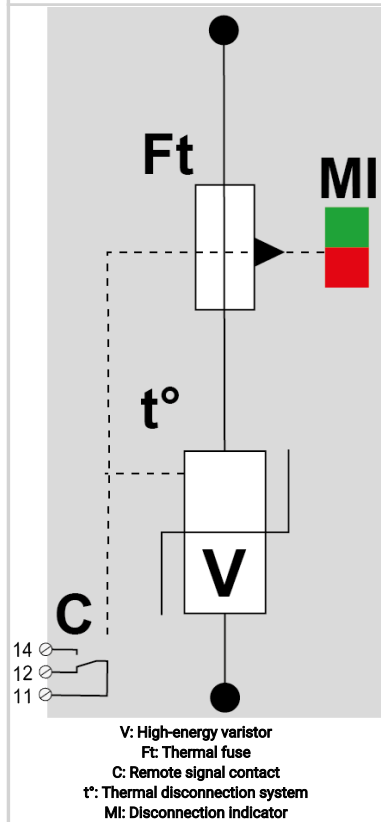
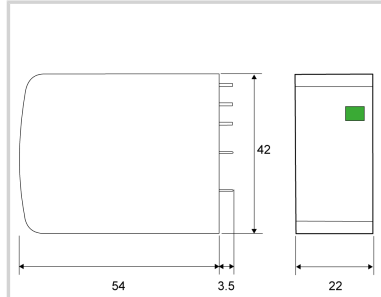
CITEL

Type 1+2 PV Surge Protector for PCB mounting

PPV1-6S-10-600



- Type 1+2 surge protector for Photovoltaic
- PCB mounting
- Iimp : 6.25 kA (10/350 μs)
- Remote signaling
- EN 50539-11 and IEC 61643-31 compliance*



Electrical Characteristics		
SPD type	IEC	1+2
Max. PV operating voltage	Ucpv	600 Vdc
Max. PV operating voltage (star mounting)	Ucpv	1200 Vdc
PV Permanent Operating current	Icpv	< 0.1 mA
Current consumption at Ucpv		
Nominal discharge current	In	20 kA
15 x 8/20 μs impulses		
Impulse current by pole	Iimp	6.25 kA
max. withstand 10/350μs by pole		
Current withstand short circuit PV	Iscpv	15 000 A
Protection level	Up	2 kV
@ In (8/20μs)		
Protection level (star mounting)	Up	4 kV
(+/-) / (+/PE or -/PE) @ In (8/20μs)		
Mechanical Characteristics		
Connection to Network	Through soldering pins	
Mounting	On Printed Circuit Board	
Housing material	Thermoplastic UL94 V-0	
Operating temperature	Tu	-40/+85°C
Protection rating	IP20	
Disconnection indicator	Mechanical indicator	
Remote signaling of disconnection	Output on changeover contact	
Dimensions	See diagram	
Disconnectors		
Thermal disconnector	Internal	
Back-up protection device	Without	
Standards		
Standards compliance	IEC 61643-31 / EN 50539-11 *The standard cover devices. PPV /PAC series are components. Compliant when combined is an assembly.	
Part number		
8723203		

