



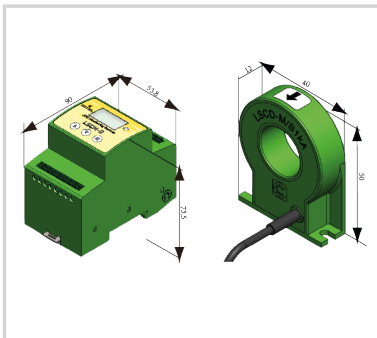
CITEL

Smart SPD Monitoring Device

LSCM-D/24/P1000



- ▶ Lightning and Surge Current Counter & SPD monitoring device
- ▶ Wide surge current detection range:
 - ▶ 1/100 kA @8/20 μs
 - ▶ 1/50 kA @10/350μs
- ▶ Front display for access to recorded events and device parameters
- ▶ Peak current and time stamping recording of the surge currents
- ▶ RS485 communication interface / MODBUS protocol
- ▶ Monitoring features : 2 inputs (SPD or disconnecter status) / 1 ouput
- ▶ IEC 62561-6 compliance



Electrical Characteristics		
Max. AC operating voltage	Uc	24 Vac
Max. DC operating voltage	Uc	24 Vdc
Connection mode(s)		2 connection PE ports
Minimum current sensibility	I _{tc}	1000 A
Max. admissible impulse current	I _{mcw}	100 kA (8/20μs) / 50 kA (10/350 μs)
Mechanical Characteristics		
Wiring		Connection wire sensor : Coaxial-cable AWG26
Mounting		Symmetrical rail 35 mm (EN60715)
Housing material		Thermoplastic UL94 V-0
Operating and storage temperature		-20/+60°C / -25 /+70°C
Protection rating		IP20
Connection		<ul style="list-style-type: none"> Counter : Spring-cage terminals Sensor : Plug-in (1 sensor line port)
Remote signaling of disconnection		Two channel to input switching signal and one channel of output switching signal
Display		128*64 lattice OLED display, green/red status LED display
Dimensions		See diagram
Weight		0.164 kg
Standards		
Standards compliance		EN 62561-6
Part number		
793532		

