



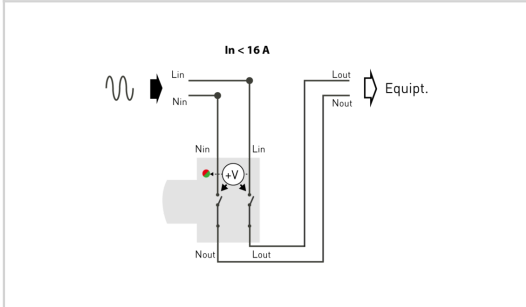
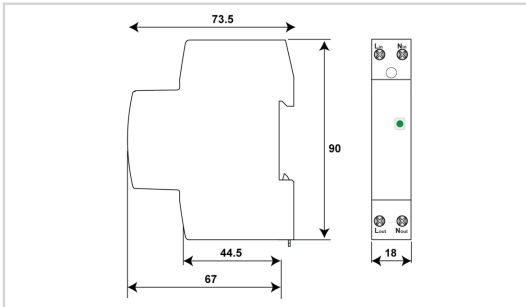
CITEL

Permanent & temporary overvoltages protector (POP)

DVM-120-16A



- ✦ Protection against permanent/temporary overvoltages of AC network
- ✦ For 120 Vac AC single-phase powerline
- ✦ Load current: up to 16 A
- ✦ Automatic operation: disconnection/reconnection
- ✦ Operating indicator
- ✦ Easy installation on DIN rail



Electrical Characteristics	
Network	120 V single-phase
Mechanical Characteristics	
Minimum disconnection during on AC voltage	3s @ 143 Vac / 1s @ 157 Vac / 0.25s @ 183 Vac / 0.07 @ 209 Vac
Connection to Network	By screw terminals: 1.5-10mm ²
Housing material	Thermoplastic UL94 V-0
Operating temperature	Tu -40/+85°C
Protection rating	IP20
Disconnection indicator	1 mechanical indicator - Red/Green
Dimensions	See diagram
Standards	
Standards compliance	IEC 63052
Part number	
358912	

